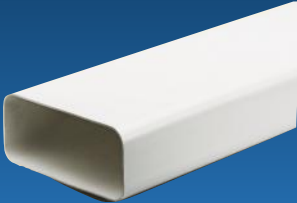
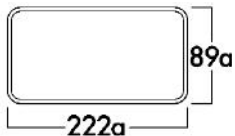

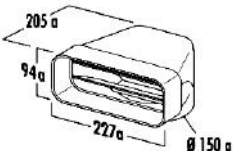


THE SECRET TO QUIETER KITCHEN EXTRACTION
COMPAIR FLOW (220 X 90MM) COMPONENTS

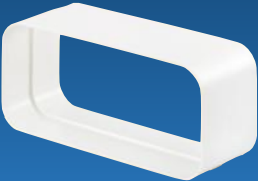
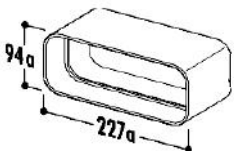
1 x Meter Flat Channel
 Code: 404300/VR6

90° Adaptor
 Ø150mm to 220 x 90mm
 Code: 4043002/UR

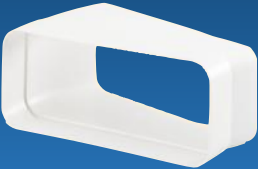
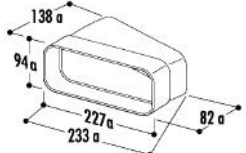
Flat Channel Connector
 Code: 4043005/RVB

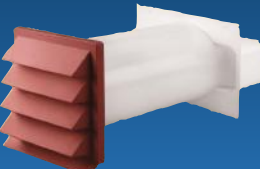

Flat Adaptor
 Ø150mm to 220 x 90mm
 Code: 4043006




15° Horizontal Bend
 Code: 4043007/RBH15

Klima-E flow 150 Wall Conduct
 Code: 404.4.050/white
 Code: 404.4.051/brown
 Code: 404.4.052/brick red


90° Horizontal Bend
 Code: 4043003



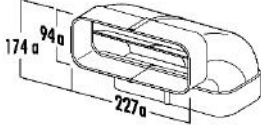

90° Horizontal Bend
 Code: 4043012 (500mm)
 Code: 4043013 (900mm)





THE SECRET TO QUIETER KITCHEN EXTRACTION
COMPAIR FLOW (220 X 90MM) COMPONENTS



Vertical 90° Elbow Connector
 Code: 4043004/RBV




90° Elbow / Flexi Pipe
 Code: 4043014/URX150 (50)
 Code: 4043015 (100)

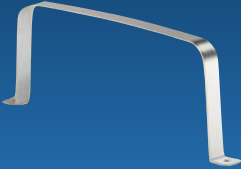
3 x Meter Flexible Ducting
 Code: NXPO

No sketch available

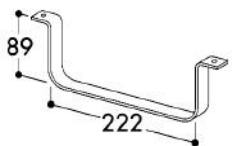



Stainless Steel Wall Grille
 Code: 4022038/EJAL

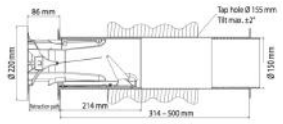
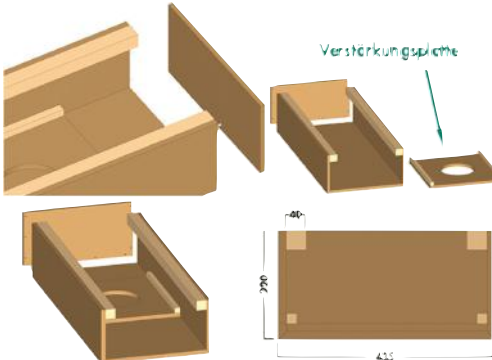
No sketch available



Flat Duct Bracket
 Code: 4043019


Flow Star GTS 150 Wall Outlet
 Code: 4043040

Ventilation Duct Casing Island Solution U-Shape
 Code: 4041011

Verstärkungsplatte

790
455



Ideal for Suspended Ceiling Hoods!