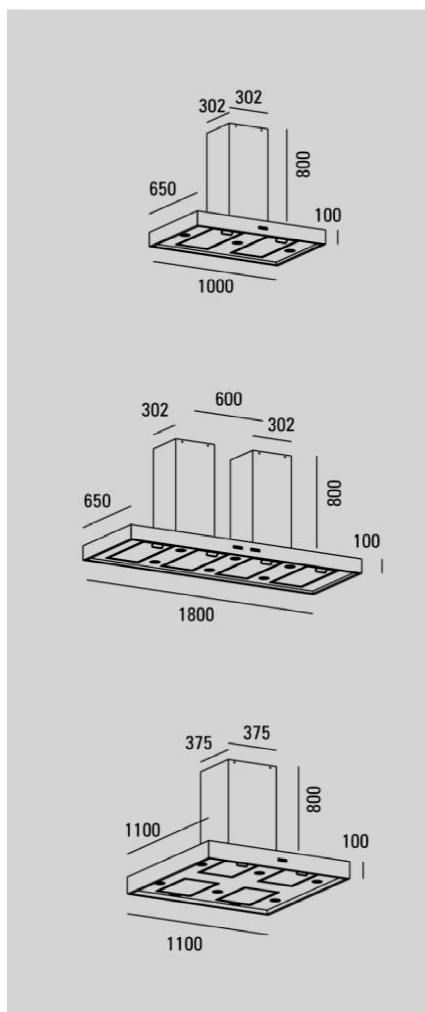


ISLAND RANGE - KILPA

Detailed Specifications:



Product code	Dimensions	Filters	Lights
PA83090ES	90x65x10cm	2	3
PA83100ES	100x65x10cm	2	3
PA83120ES	120x65x10cm	3	4
PA83150ES	150x65x10cm	3	4

Internal motor 755m³/hr outlet 150mm/rated load 200w+ rated load lights/telescopic chimney 590-1115mm



Other sizes available – please call our team for more information