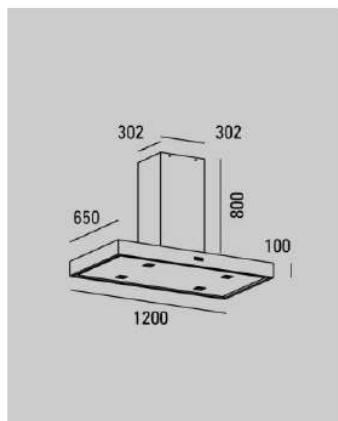


ISLAND RANGE - KILPALIE

Detailed Specifications:



Product code	Dimensions	Filters	Panels	Lights
PA83090RZ	90x65x10cm	1	1	4
PA83100RZ	100x65x10cm	2	1	4
PA83120RZ	120x65x10cm	2	1	4
PA83150RZ	150x65x10cm	2	2	4

Internal motor 755m<sup>3</sup>/hr outlet 150mm/rated load 200w+ rated load lights/telescopic chimney 590-1115mm



Other sizes available – please call our team for more information